




Product information GDMF 3009 schwarz/black

Industrial Connecting Solutions:Rectangular Connectors:Valve Connectors (Type A -B -C):Type A:Field Attachable Valve Connectors:Valve Connectors (DIN EN 175 301-803):GDMF 3009 schwarz/black
<https://www.e-catalog.beldensolutions.com:443/link/57078-24228-256261-256266-256270-276215-24311-34912/en/conf/ui/state>

Name	GDMF 3009 schwarz/black
	
	cable socket with central screw M 3 x 30, contacts silvered
Delivery informations	
Availability	available
Product description	
Description	cable socket with central screw M 3 x 30, contacts silvered
Type	GDMF 3009 schwarz/black
Order No.	933 944-100
Number of contacts	3 + PE
Cable gland	PG 16
Conductor size	max. 1.5 mm ²
Standard	DIN EN 175 301-803-A
Housing Color	black
Construction type	A
Technical data	
Pin dimensions	6.3 mm x 0.8 mm, 4.8 mm x 0.8 mm
Rated voltage	AC/DC 250 V
Rated current	10 A
Contact resistance	<= 4 mOhm
Type of termination	screw
Suitable cables	6 mm to 7 mm diameter
Mounting	central nut
Material	
Contact surface material	Sn contacts silvered
Contact bearer material	PA
Housing material	PA
Environmental conditions	
Protection class (IEC 60529)	IP 65 (gasket necessary)
Pollution severity	3
Temperature range	-40 °C to +125 °C
Inflammability class	
Housing	94 HB
Contact bearer	94 HB
Packing unit	
Packaging unit	200 pieces
Scope of delivery and accessories	
Accessories to order separately	(NBR) flat gasket GDM 3-7, Order no. 730 801-002; (EPDM) flat gasket GDM 3-21, Order no. 731 739-004; profiled gasket GDM 3-16, Order no. 731 531-002

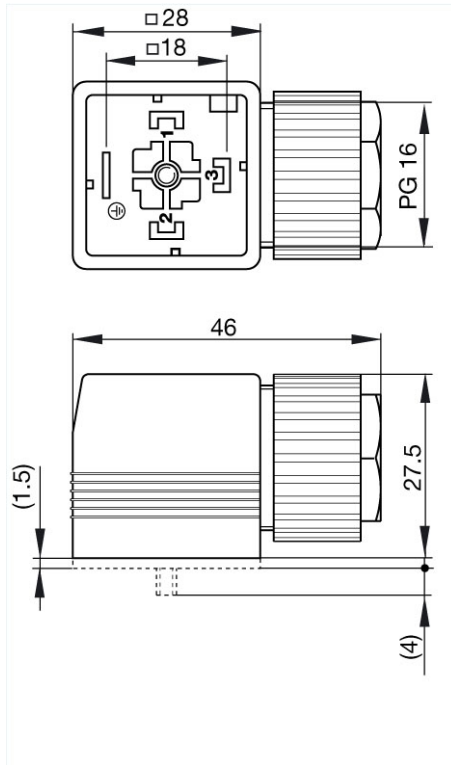


HIRSCHMANN

A BELDEN BRAND

Industrial Connecting Solutions:Rectangular Connectors:Valve Connectors (Type A -B -C):Type A:Field Attachable Valve Connectors:Valve Connectors (DIN EN 175 301-803):GDMF 3009 schwarz/black
<https://www.e-catalog.beldensolutions.com:443/link/57078-24228-256261-256266-256270-276215-24311-34912/en/conf/ui/state>

Picture
Drawing



Belden Deutschland GmbH
Im Gewerbepark 2
58579 Schalksmühle
Germany
Phone: +49 7127/14-1806
E-Mail: icos-sales@belden.com

The information published in the websites has been compiled as carefully as possible. It is subject to alteration without notice in technical as well as in price-related/commercial respect. The complete information and data were available on user documentation. Mandatory information can only be obtained by a concrete query.