

FIELD ATTACHABLE M12



STRAIGHT VERSION IDC

1250 04 T6CI

M12 connector, male, field-attachable, with insulation displacement connection (IDC), straight, A-coded, IP67.

TECHNICAL DATA

Environmental conditions

Temperature range: -25 °C/+85 °C

Materials

Insulating body: PA
Contact pin: CuSn, gold-plated
Knurled screw: Zn diecast, nickel-plated
Cap nut: Zn diecast, nickel-plated

Mechanical data

Spanner size: SW13
Protection class: IP67¹

¹) only in locked condition with an appropriate counterpart

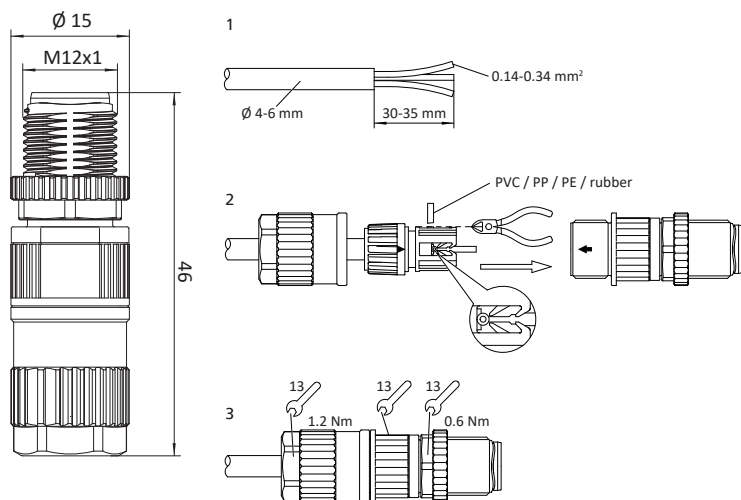
Connectable conductors for IDT area

Section min.: AWG 26
Section max.: AWG 22
Cable diameter: 4.0-6.0 mm

Electrical data (at Tamb 20 °C)

Rated current: 4A
Rated voltage: 32 V AC/DC
(with pollution degree 3)

DESIGNATION	POLE NUMBER	PU (PIECES)	MDQ (PIECES)
1250 04 T6CI	4	1	1



Environmental conditions

Temperature range: -25 °C/+85 °C

Materials

Insulating body: PA
Contact pin: CuSn, gold-plated
Housing: PA
Knurled screw: Zn diecast, nickel-plated
Cap nut: Zn diecast, nickel-plated

Mechanical data

Tightening torque screw: 0.6 Nm
Tightening torque cap nut: 1.2 Nm
Spanner size: SW13
Protection class: IP67¹

¹) only in locked condition with an appropriate counterpart

Connectable conductors for IDT area

Section min.: AWG 26
Section max.: AWG 22
Cable diameter: 4.0-6.0 mm

Electrical data (at Tamb 20 °C)

Rated current: 4.0 A
Rated voltage: 32 V AC/DC
(with pollution degree 3)
Insulation resistance: > 100 MΩ

Associated products

Counterparts

☞ 1200 ... 0...	☞ 1200 ... 3...	☞ 1205 ... 0...
☞ 1205 ... 3...	☞ 1206 ... L1 0...	☞ 1206 ... L1 3...
☞ 1206 ... L2 0...	☞ 1206 ... L2 3...	☞ 1210 1200 ... 0...
☞ 1210 1200 ... 3...	☞ 1210 1205 ... 3...	☞ 1210 1206 ... L1 0...
☞ 1210 1206 ... L1 3...	☞ 1210 1206 ... L2 0...	☞ 1210 1206 ... L2 3...
☞ 1220 ... T16CW ...	☞ 1220 ... T20CW100 ...	☞ 1220 ... T20CW101 ...
☞ 1220 ... T20CW102 ...	☞ 1220 ... T20CW103 ...	☞ 1220 ... T20CW104 ...
☞ 1220 ... T20CW105 ...	☞ 1221 ... T16CW100 ...	☞ 1221 ... T9CP
☞ 1240 ... T...CI	☞ 1240 ... T...CR	☞ 1245 ... T...CR
☞ 5500 04DL1 3...	☞ 5500 04L1 3...	☞ 5500 08DL1 3...
☞ 5500 08L1 3...	☞ 5512 02 FMF	☞ 5512 02 MFF